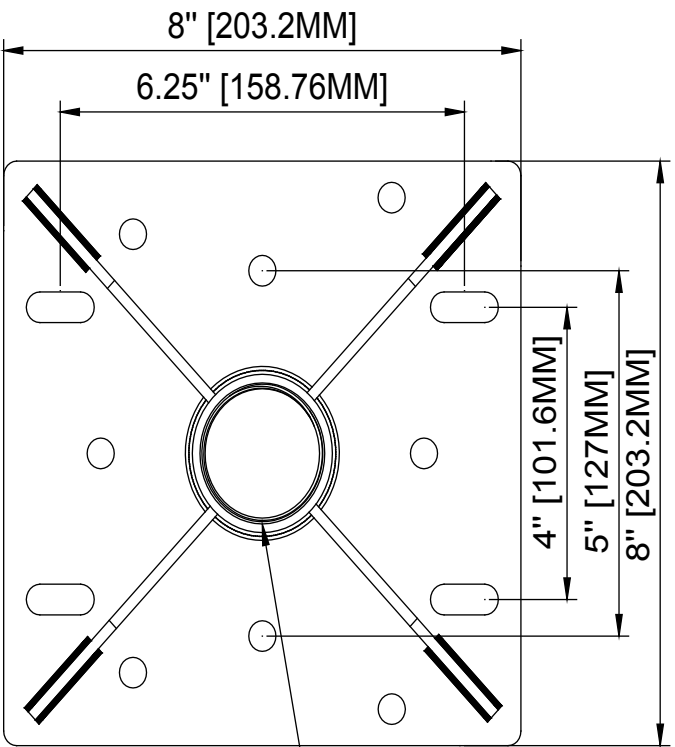
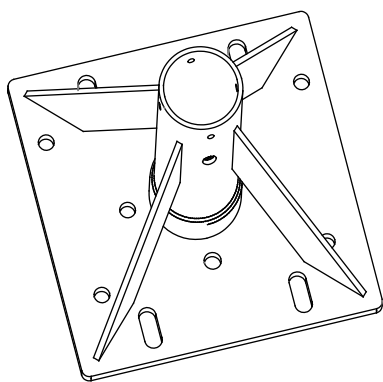
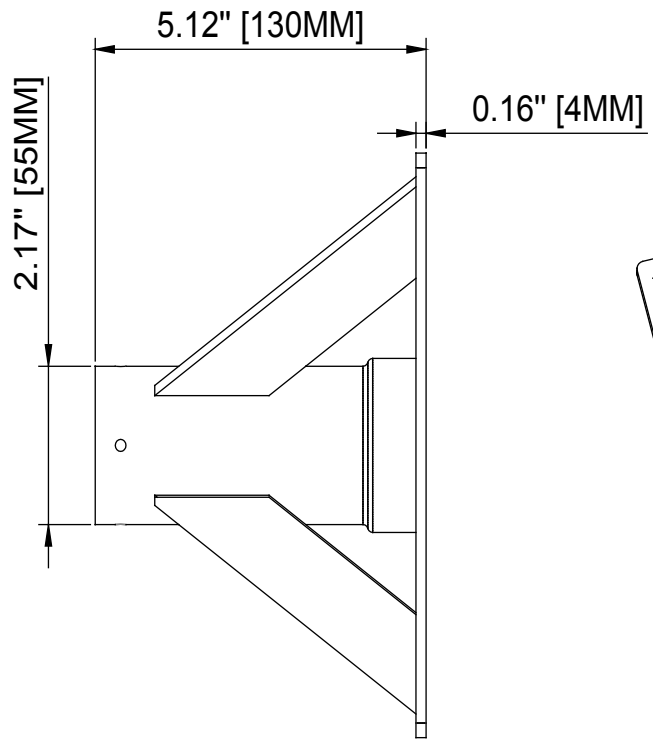


Maximum load rating: 500 lbs



1-1/2-11.5 NPT



THE INFORMATION CONTAINED IN THIS DRAWING IS THE SOLE PROPERTY OF CRIMSON AV LLC. ANY REPRODUCTION IN PART OR AS A WHOLE WITHOUT THE WRITTEN PERMISSION OF CRIMSON AV LLC IS PROHIBITED



CRIMSON AV LLC.

PRODUCT ORDER NUMBER: CA8HD
PHONE: 1-866-668-6888

Scale=1:1

Crimson AV LLC. www.crimsonav.com	
TITLE: CA8HD	
SIZE B	DWG.N.O. CA8HD