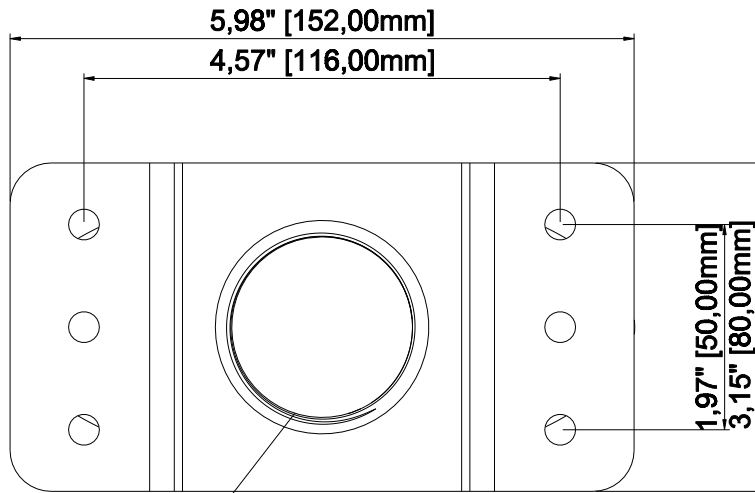
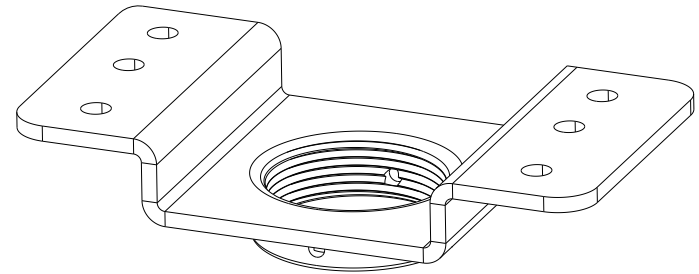
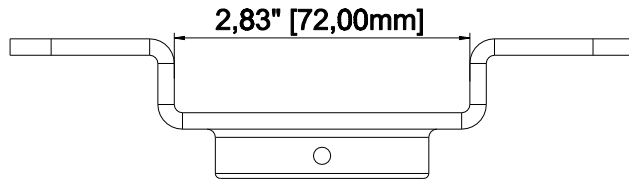
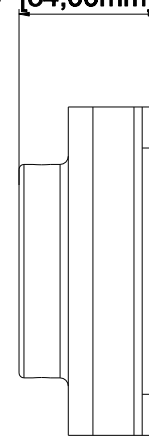


1 2 3 4 5 6 7 8

**Maximum load rating: 80 lbs**



1.34" [34.00mm]



**1-1/2-11.5NPS**

THE INFORMATION CONTAINED IN THIS DRAWING IS THE SOLE PROPERTY OF CRIMSON AV LLC. ANY REPRODUCTION IN PART OR AS A WHOLE WITHOUT THE WRITTEN PERMISSION OF CRIMSON AV LLC IS PROHIBITED

**CRIMSON AV LLC.**

**PRODUCT ORDER NUMBER: CA1**

**PHONE: 1-866-668-6888**

**Crimson AV LLC.**  
www.crimsonav.com

TITLE: **CA1**

SIZE: **B** DWG.NO. **CA1**

**Scale: 1:1**

1 2 3 4 5 6 7 8