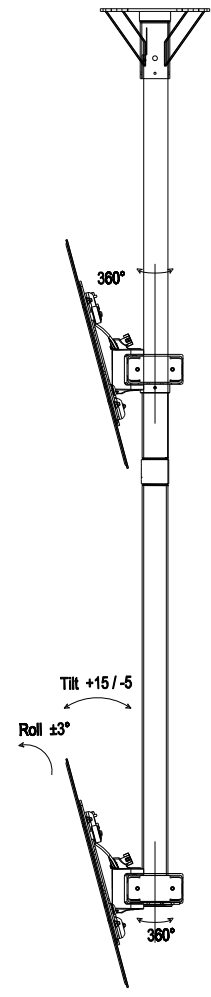
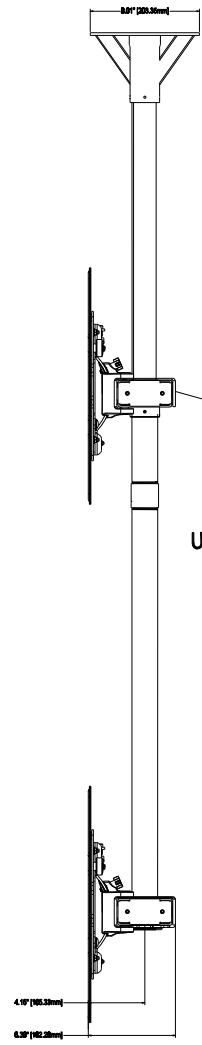
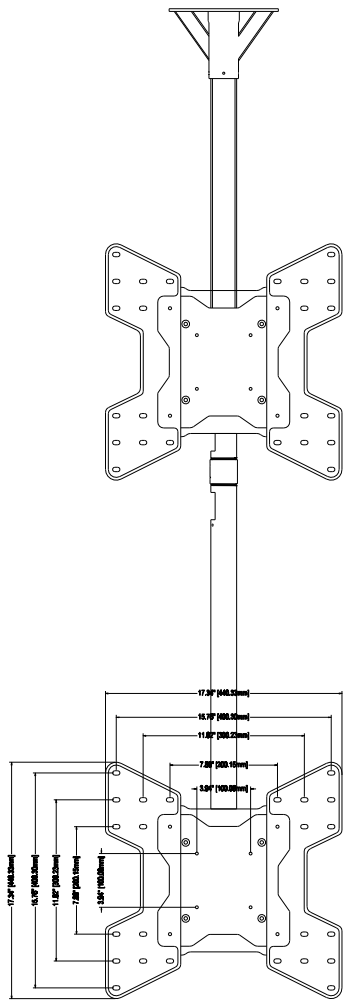


1 2 3 4 5 6 7 8

Maximum load rating: 100 lbs



UP & DOWN

THE INFORMATION CONTAINED IN THIS DRAWING IS THE SOLE PROPERTY OF CRIMSON AV LLC. ANY REPRODUCTION IN PART OR AS A WHOLE WITHOUT THE WRITTEN PERMISSION OF CRIMSON AV LLC IS PROHIBITED

CRIMSON AV LLC.
 PRODUCT ORDER NUMBER: **C2K55V**
 PHONE: **1-866-668-6888**

Scale=1:1

Crimson AV LLC. www.crimsonav.com	
TITLE:	C2K55V
SIZE B	DWG.NO. C2K55V

1 2 3 4 5 6 7 8