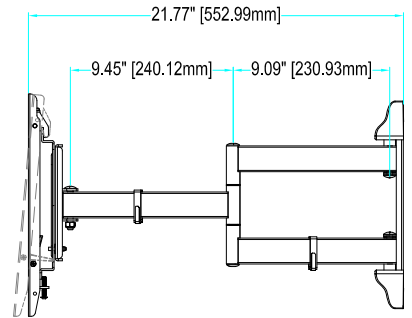
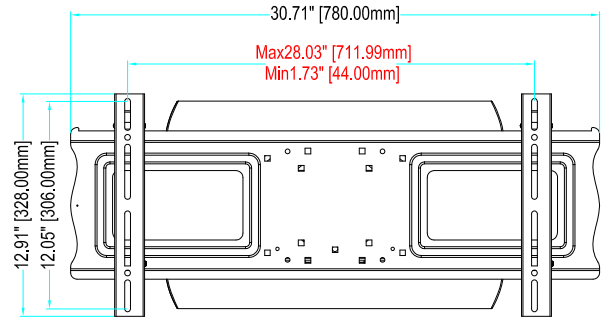
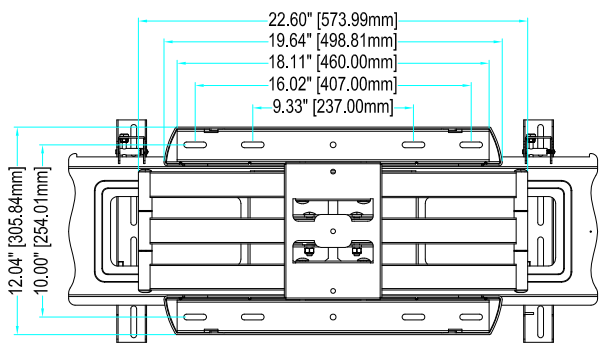
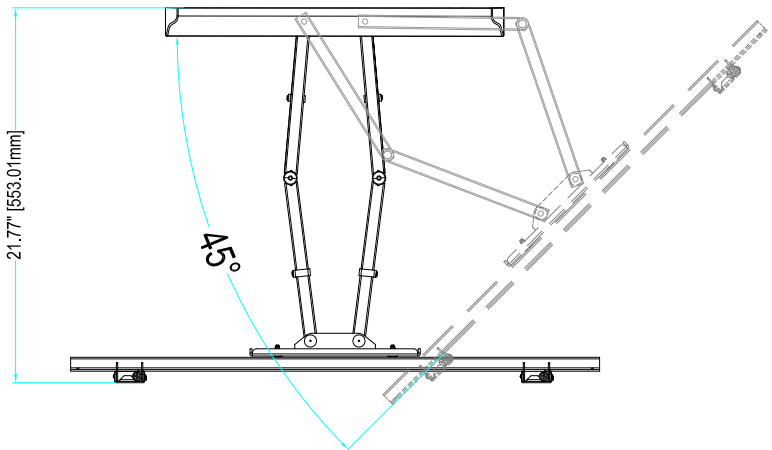
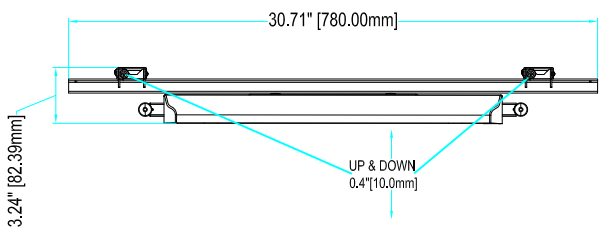


Maximum load rating: 130 lbs



THE INFORMATION CONTAINED IN THIS DRAWING IS THE SOLE PROPERTY OF CRIMSON AV LLC. ANY REPRODUCTION IN PART OR AS A WHOLE WITHOUT THE WRITTEN PERMISSION OF CRIMSON AV LLC IS PROHIBITED



**CRIMSON AV LLC.**  
 PRODUCT ORDER NUMBER: AE63LL  
 PHONE: 1-866-668-6888

Scale=1:1

Crimson AV LLC. www.crimsonav.com	
TITLE:	AE63LL
SIZE DWG.NO.	AE63LL