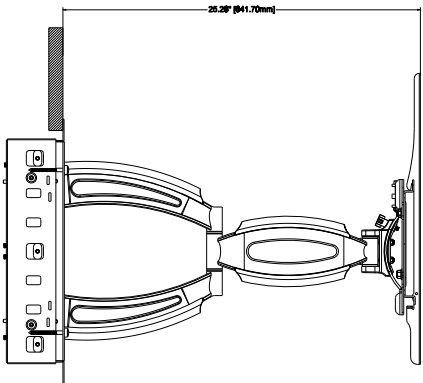
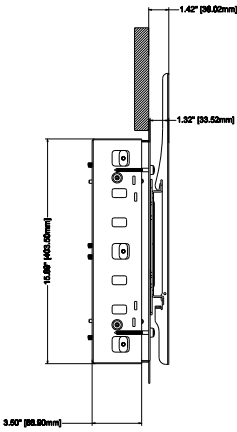
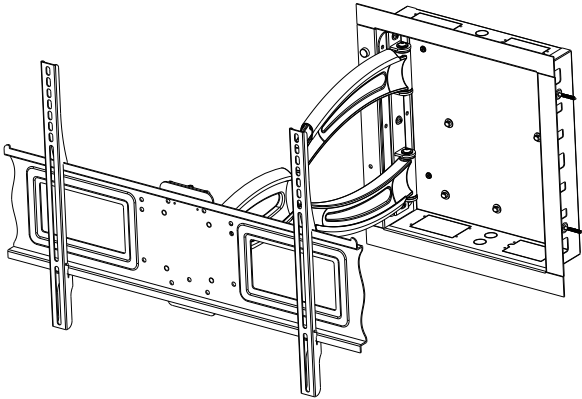
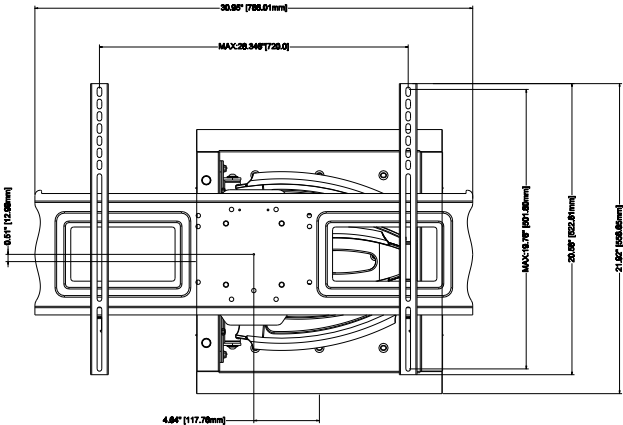


1 2 3 4 5 6 7 8

Maximum load rating:150 lbs



THE INFORMATION CONTAINED IN THIS DRAWING IS THE SOLE PROPERTY OF CRIMSON AV LLC. ANY REPRODUCTION IN PART OR AS A WHOLE WITHOUT THE WRITTEN PERMISSION OF CRIMSON AV LLC IS PROHIBITED

CRIMSON AV LLC.
PRODUCT ORDER NUMBER: A631
PHONE: 1-866-668-6888

Scale=1:1

Crimson AV LLC. www.crimsonav.com	
TITLE: A631	
SIZE B	DWG.NO. A631

1 2 3 4 5 6 7 8