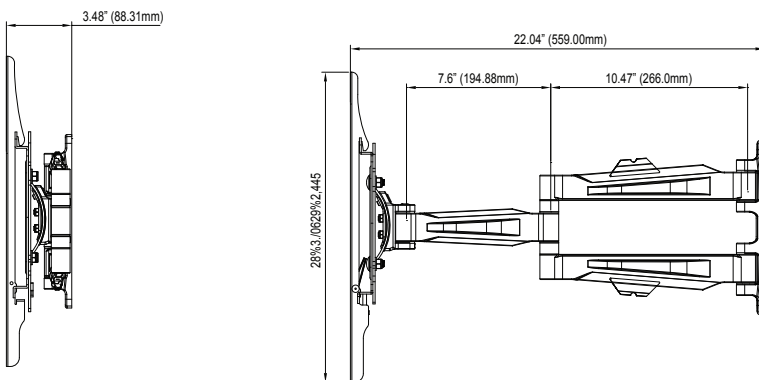
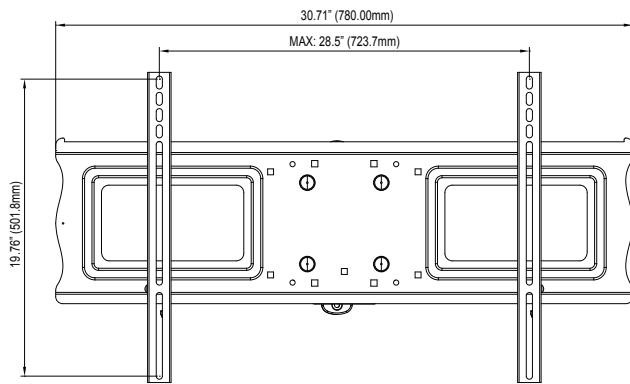


Decorative Covers
Hide Screw Heads

Up to 5 Attachment Points For
Safe Installation Into Cinderblock

Model	TV Sizes	Max Mounting Pattern (WxH)	Load Rating
A60U	37"-60"+	723x501mm	80lb



Installation

Comes pre-assembled for quick and easy installation. Features decorative screw head covers and an easily adjustable tilt mechanism.

Installation Surfaces

Installs on single wood stud or masonry surfaces. Unique wall plate design has up to 5 attachment points for masonry installations.

Tilt

Pre-tensioned smooth functioning tilt mechanism allows +15° to -5° of adjustment without the need to continuously readjust a tension knob or screw.

VESA Compatible Universal Design

Compatible with all VESA patterns through 700x500mm. Maximum universal mounting pattern 723x501mm.

Construction

Fabricated from high-grade cold rolled steel with durable epoxy powder coat finish. Includes a complete array of high-grade fasteners, in a pre-sorted hardware pack for easy selection. UL Listed.

