



Professional Solutions - Unrivalled Value

Articulating arms hold screen 3.8" from wall and extend up to 27" for variable viewing angles. Smooth tilt adjustments of 15° forward and 5° back with a locking knob for a variety of viewing angles. 6° side to side roll for perfect screen positioning. Makes a secure installation quick and easy, simply hang the screen and turn the pre-assembled securing screws to lock in place. Integrated cable management for clean look.

32"-55" / 81cm-140cm

150 LB / 68 KG

■ **Universal Design / Vesa Compatible**

Fits any hole pattern up to 400x300mm (15.8"x12").

■ **Extendable**

Extends from 3.8" to 27".

■ **Screen Size**

Fits most 32" to 55" flat panel screens weighing up to 150lb (68kg).

■ **Roll Adjustment**

6° side to side roll feature (without tools).

■ **Easy Installation**

Pre-assembled securing screws makes installation fast and easy.

■ **Cable Management**

Integrated cable management for clean look.

■ **Included Hardware**

Pre-sorted hardware pack for easy component selection and installation (hardware for installation to wood studs or concrete surfaces included).

Functional Specifications

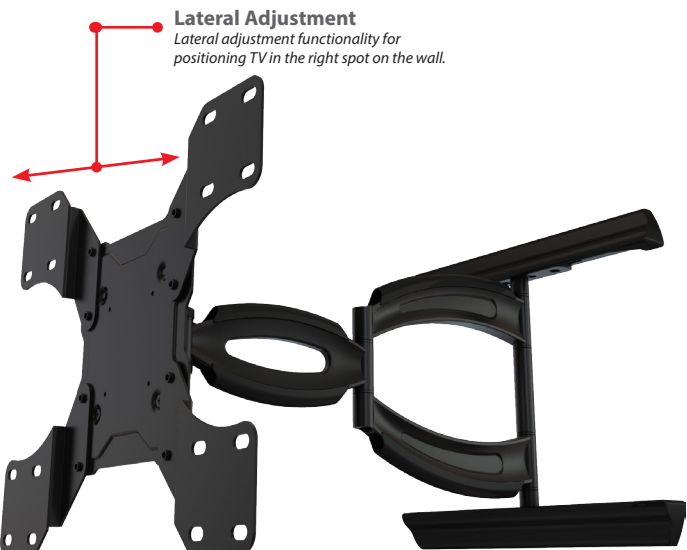
Depth from wall: 3.8" (96.4mm)
Swivel: 50° (Max)
Tilt: +15°/-5°
Roll: 6°

Mounting Surfaces: Wood studs, concrete & cinder block (with included hardware).

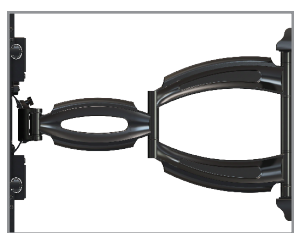
Max Mounting Pattern:
400mm (15.8") width
300mm (12") height

Load Capacity: 150 LB / 68 KG

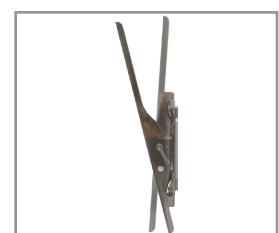
Warranty: Limited 10 Years




Lateral Adjustment
Lateral adjustment functionality for positioning TV in the right spot on the wall.



Full Range of Motion
3 pivot joints for variable viewing angles.



Tilt
15° forward and 5° back tilt for optimal viewing angles.



Mounting Hardware
Complete set of screen mounting hardware, labeled for ease of use and ready to go.

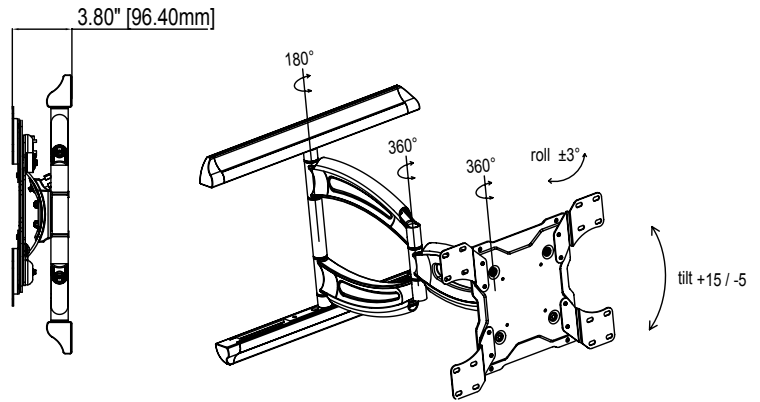
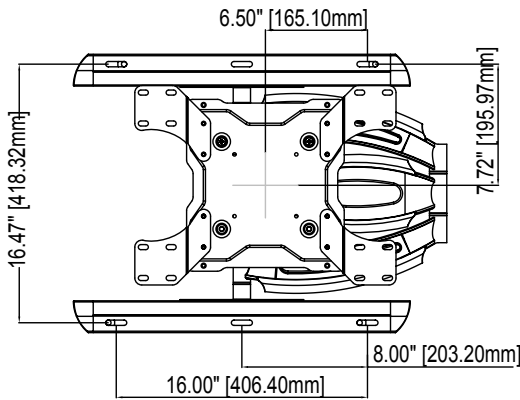
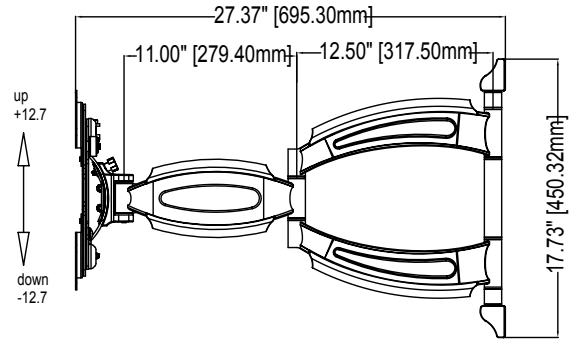
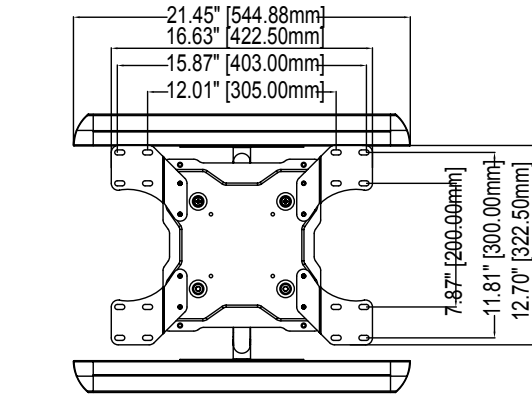
VESA Compatible
Compatible with 100x100mm, 200x100mm, 200x200mm, 300x200mm, 300x300mm and 400x300mm.



Full Motion Articulating Wall Mount

For 32" to 55" (81-140cm) LCD, LED and Plasma TV's

A55VSB (BLACK)



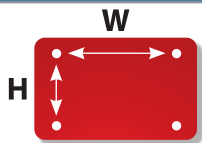
Product Specifications

Package Specifications

PRODUCT WEIGHT	LOAD CAPACITY	COLORS	FINISH
22.7lb (10.3kg)	150lb (68kg)	Black	Scratch resistant powder coating

PACKAGE SIZE (WxHxD)	SHIP WEIGHT	UPC CODE	PACKAGE CONTENTS
27" x 20" x 6" (670x500x107mm)	32.4lb (14.7kg)	A55VSB (Black) 0815885014512	Mount, wall and screen mounting hardware, product manual.

Mounting Interface



Max Mounting Pattern

400mm (W) x 300mm (H)

VESA

W	100mm	200mm	200mm	300mm	300mm	400mm	400mm
H	100mm	100mm	200mm	200mm	300mm	200mm	300mm

Accessories

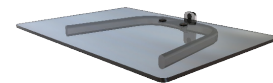
On-wall Cable Management



- WA1 - 1 Shelf
- WA2 - 2 Shelves
- WA3 - 3 Shelves

Component shelf and on-wall cable routing system. Hides cables inside internal channels for a clean look.

Shelving



WF1 - 1 Shelf

Single-stud mountable component shelf.

Visit crimsonav.com to see the full line of vidamounts LCD/plasma, projector and TV/monitor mounts. © 2010 Crimson AV LLC. All rights reserved.