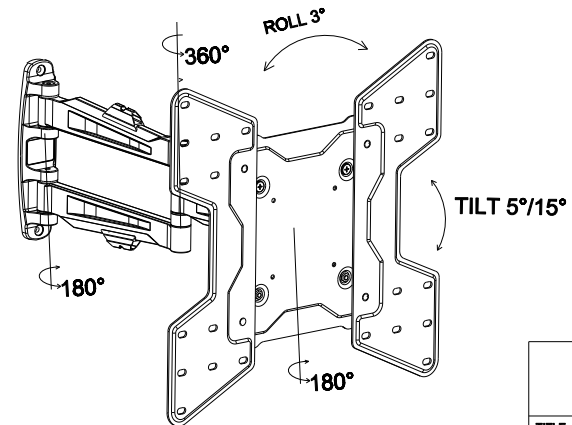
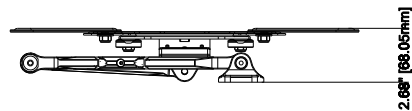
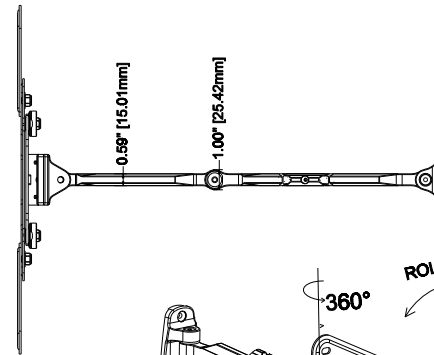
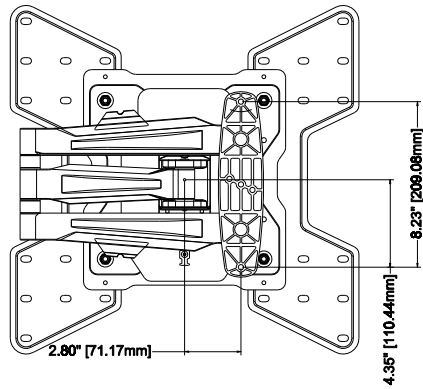
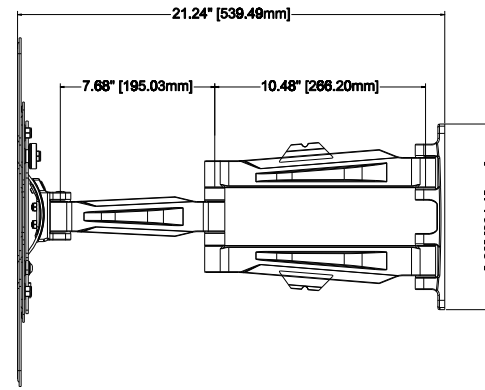
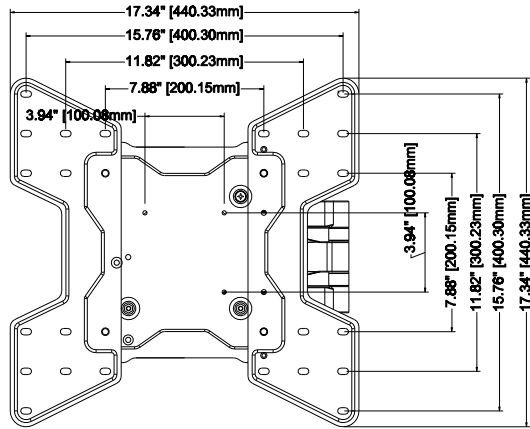


Maximum load rating: 80 lbs



THE INFORMATION CONTAINED IN THIS DRAWING IS THE SOLE PROPERTY OF CRIMSON AV LLC. ANY REPRODUCTION IN PART OR AS A WHOLE WITHOUT THE WRITTEN PERMISSION OF CRIMSON AV LLC IS PROHIBITED

CRIMSON AV LLC.

PRODUCT ORDER NUMBER: A47V

PHONE: 1-866-668-6888

Scale=1:1

Crimson AV LLC.
www.crimsonav.com

TITLE:

A47V

SIZE

DWG.NO.

A47V