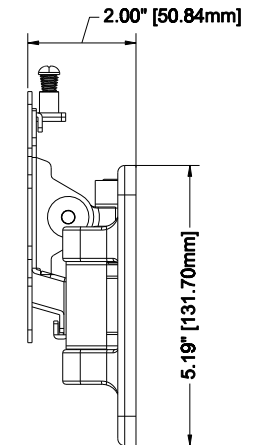
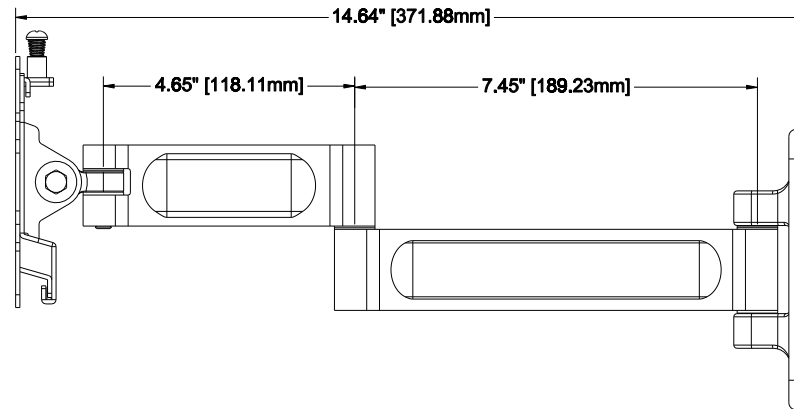
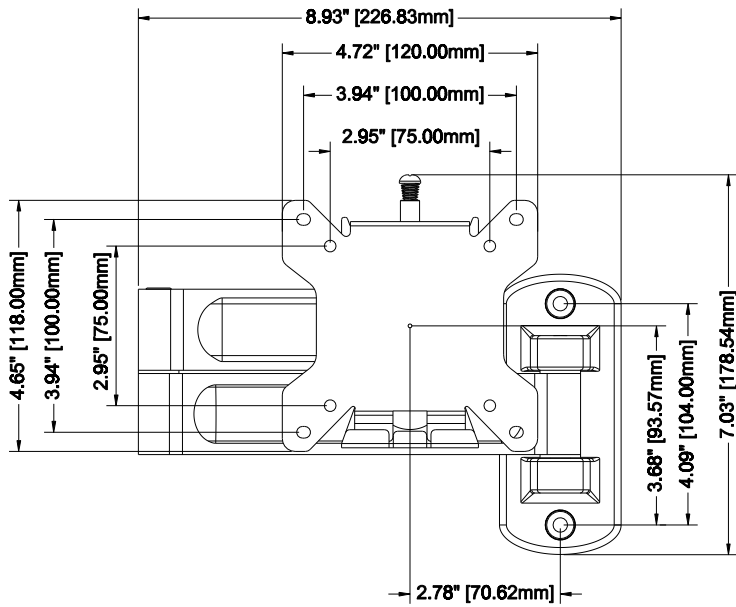


Maximum load rating: 30 lbs

Tilt:
+15°/-15°

200° 360° 180°



THE INFORMATION CONTAINED IN THIS DRAWING IS THE SOLE PROPERTY OF CRIMSON AV LLC. ANY REPRODUCTION IN PART OR AS A WHOLE WITHOUT THE WRITTEN PERMISSION OF CRIMSON AV LLC IS PROHIBITED

CRIMSON AV LLC.

PRODUCT ORDER NUMBER: A30F

PHONE: 1-866-668-6888

Crimson AV LLC.
www.crimsonav.com

TITLE: **A30F**

SIZE DWG.NO. **A30F**

Scale: 1:1